

# 403U/VM2, 403U/VM3 and 403U/VM4

## Ultra Compact MultiChannel Pump Auto/Manual Control IP21 Wipedown Enclosure



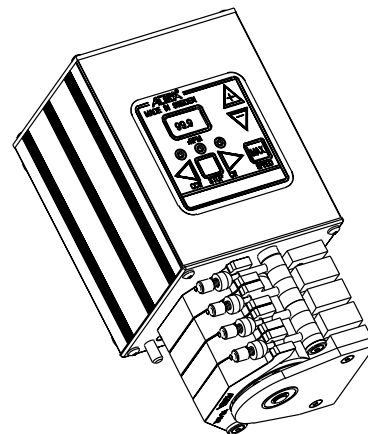
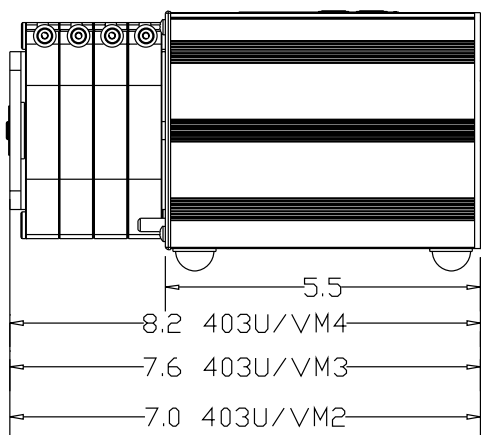
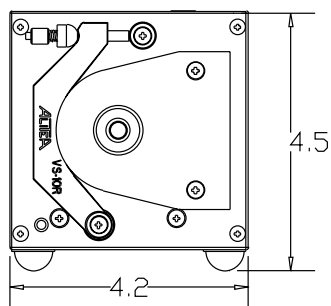
### Technical Information and Features

- Flow rates from 0.001-17 mL/min
- Top mounted operator friendly keypad offering digital manual control of
  - Fwd/Stop/Rev
  - Speed control with LCD display of rpm
  - Max key for rapid priming
- 20:1 speed control range, available in 0.5-10 rpm or 2.5-50 rpm versions
- Four optional remote control interface cables available offering:
  - 400AC1: Remote speed control via 0-10VDC analog signal and fwd/stop/rev via dry contact closure
  - 400AC2: Remote speed control via 4-20mA analog signal and fwd/stop/rev via dry contact closure
  - 400AC3: Remote fwd/stop/rev via dry contact closure
  - 400AC4: Start/Stop with footswitch
- IP21 wipedown enclosure for use in dry environments
- Fitted with 400VM2 two channel, 400VM3 three channel, or 400VM4 four channel pumphead with quick release spring-loaded track, 10 roller high accuracy rotor, and adjustable occlusion lever
- Multichannel pumpheads accept 2-stop manifold tubing (0.13 – 2.79 mm bore & 0.83 mm wall)

### Flow Rate Ranges per Channel (ml/min\*)

Tube Color Code	Orange/ Black	Orange/ Red	Orange/ Blue	Orange/ Green	Orange/ Yellow	Orange/ White	Black/ Black	Orange/ Orange	White/ White	Red/ Red
Tube Bore	0.13mm	0.19mm	0.25mm	0.38mm	0.50mm	0.63mm	0.76mm	0.88mm	1.02mm	1.14mm
0.5 - 10 rpm	0.001-0.01	0.001-0.03	0.002-0.04	0.005-0.1	0.01-0.2	0.01-0.3	0.02-0.4	0.03-0.5	0.03-0.7	0.04-0.9
2.5 - 50 rpm	0.003-0.16	0.006-0.13	0.011-0.20	0.025-0.5	0.04-0.9	0.07-1.4	0.10-2.0	0.13-2.6	0.17-3.5	0.21-4.3
Tube Color Code	Gray/ Gray	Yellow/ Yellow	Yellow/ Blue	Blue/ Blue	Green/ Green	Purple/ Purple	Purple/ Black	Purple/ Orange	Purple/ White	
Tube Bore	1.29mm	1.42mm	1.52mm	1.65mm	1.85mm	2.05mm	2.38mm	2.54mm	2.79mm	
0.5 - 10 rpm	0.05-1.1	0.06-1.3	0.07-1.4	0.08-1.7	0.10-2.0	0.12-2.3	0.14-2.7	0.16-3.1	0.17-3.4	
2.5 - 50 rpm	0.27-5.4	0.32-6.4	0.36-7.2	0.41-8.3	0.50-10	0.59-12	0.69-14	0.78-16	0.85-17	

\* 1 gal = 3785.4 ml



Dimensions in inches

# 403U/VM2, 403U/VM3 and 403U/VM4

## Ultra Compact MultiChannel Pump

### Auto/Manual Control - IP21 Wipedown

#### Specifications

- Shipping Weight: 5.5 lbs
- Maximum Power Consumption: 13VA
- Supply: 110-120VAC, 60 Hz
- Maximum Rotor Speeds: 10 rpm or 50 rpm
- Enclosure: IP21 wipedown
- Operational Temperature Range: 5°C to 40°C (41°F to 104°F)
- Noise: <70dB at 1 meter
- Standards: Equipment complies with all applicable CE directives

#### Product Codes

403U/VM2	2 channel, 10 rpm	040.371V.M2A
403U/VM3	3 channel, 10 rpm	040.371V.M3A
403U/VM4	4 channel, 10 rpm	040.371V.M4A
403U/VM2	2 channel, 50 rpm	040.3K1V.M2A
403U/VM3	3 channel, 50 rpm	040.3K1V.M3A
403U/VM4	4 channel, 50 rpm	040.3K1V.M4A

#### Accessory Auto Control Cables (5' pigtail)

Cable 400AC1: 0-10VDC, Fwd/Stop/Rev	049.0011.000
Cable 400AC2: 4-20mA, Fwd/Stop/Rev	049.0031.000
Cable 400AC3: Fwd/Stop/Rev	049.0051.000
Cable 400AC4: Start/Stop with footswitch (10')	049.0071.000

#### Materials of Construction

##### Pumphead

- Track: Extruded anodized aluminum
- Rollers: Stainless steel
- Rotor: Aluminum
- Guard: Polyester resin (PET)
- Tube Clamps: Acetal

##### Drive

- Housing: Extruded anodized aluminum
- Front Plate: Anodized aluminum

#### Available Tubing Materials

- Marprene® (excl. 0.13 & 0.19 mm)
- Silicone (excl. 0.13, 0.19, 0.25, 0.38, 0.50 mm)
- PVC
- Solvent Resistant
- Acid Resistant (excl. 0.13, 0.19, 0.25, 0.38 mm)

The information contained in this document is believed to be correct, but Watson-Marlow Bredel Pumps accepts no liability for any errors it contains, and reserves the right to alter specifications without notice. Watson-Marlow and Marprene are registered trademarks of Watson-Marlow Limited.

#### Watson-Marlow Bredel Pumps

37 UPTON TECHNOLOGY PARK, WILMINGTON, MA 01887-1018  
TEL: 978-658-6168 / FAX: 978-658-0041  
www.watson-marlow.com  
support@wmbpumps.com

wd-403uvm-us-01