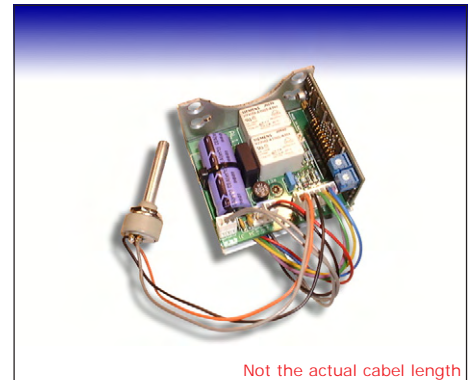




400SCB/534 Speed Control Board

Technical information and features

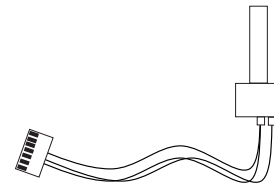
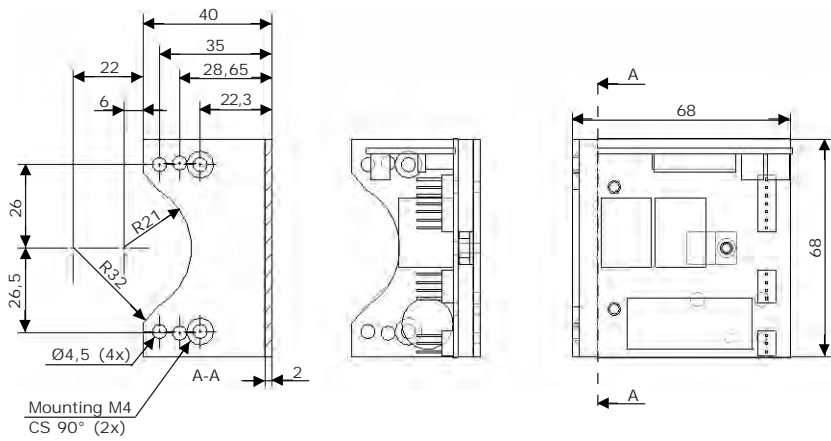
- Speed control ratio 20:1
- Remote facilities
- Compact design
- Optimised for 400FDC, 313/314FDP and 501FDP
- Mounted to the pump when ordered together
- Delivered with a remote potentiometer (10Kohm)



400SCB/534 Speed Control Board with remote potentiometer (10Kohm)

400SCB

These OEM motor speed controls are designed for operating permanent magnetic DC motors up to 30 watts. They are linear type controllers that provide smooth acceleration and deceleration under load, and a turndown of 20:1. Accepts AC or DC inputs.

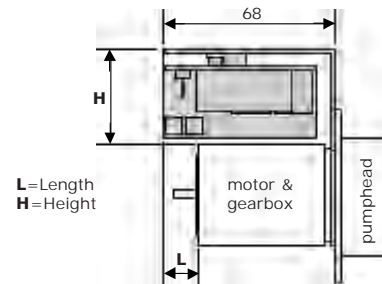


- Remote potentiometer (10Kohm)
- 1 meter cabling

Assembled behind mounting panel with FDC and FDP drives

| Build approx: | Length | Height | Width |
|--------------------------------------|--------|---------|-------|
| FDC 5W motor with Ø40mm gearbox | - | 2 x 1,5 | 40* |
| FDC/FDP 5W motor with □68mm gearbox | 30 | 15 | - |
| FDC/FDP 30W motor with □68mm gearbox | - | 30 | - |

*left or right, snapped together for transport only



| Product code 400SCB/534 | | | |
|-------------------------------|--------------------|------------------|--------------|
| Supply voltage | Output voltage | Motor | Product code |
| 15-30VDC or 12-22VAC 50/60 Hz | 0-12VDC or 0-24VDC | 5W, 12V/30W, 24V | 049.C534.000 |

400SCB/534

Specifications

| | |
|----------------------|--|
| Speed control ratio | 20:1 (stable, speed independent of load) |
| Remote speed options | 0-20 mA or 4-20 mA, 0-1V or 0-10V, remote potentiometer (10Kohm) |
| Stop/Start | Remote switch or 5V logic |
| Direction | Remote switch or 5V logic |
| User adjustments | Max speed and signal selection |
| Temperature range | -30°C to 40°C |
| Supply voltage | 15-30VDC or 12-22VAC 50/60 Hz |
| Output voltage | 0-12VDC or 0-24VDC |
| Recommended motors | Standard DC 5W, 12V or 30W, 24V (Economy DC 5W, 12V) |

**WATSON
MARLOW
ALITEA**
W-M Alitea AB

Stockholm
SWEDEN
Tel: +46 8 556 556 00
Fax: +46 8 556 556 25
www.alitea.se
Email: info@alitea.se

You can download the latest edition of this data sheet at www.alitea.se.

W-M Alitea reserves the right to alter specifications without notice.