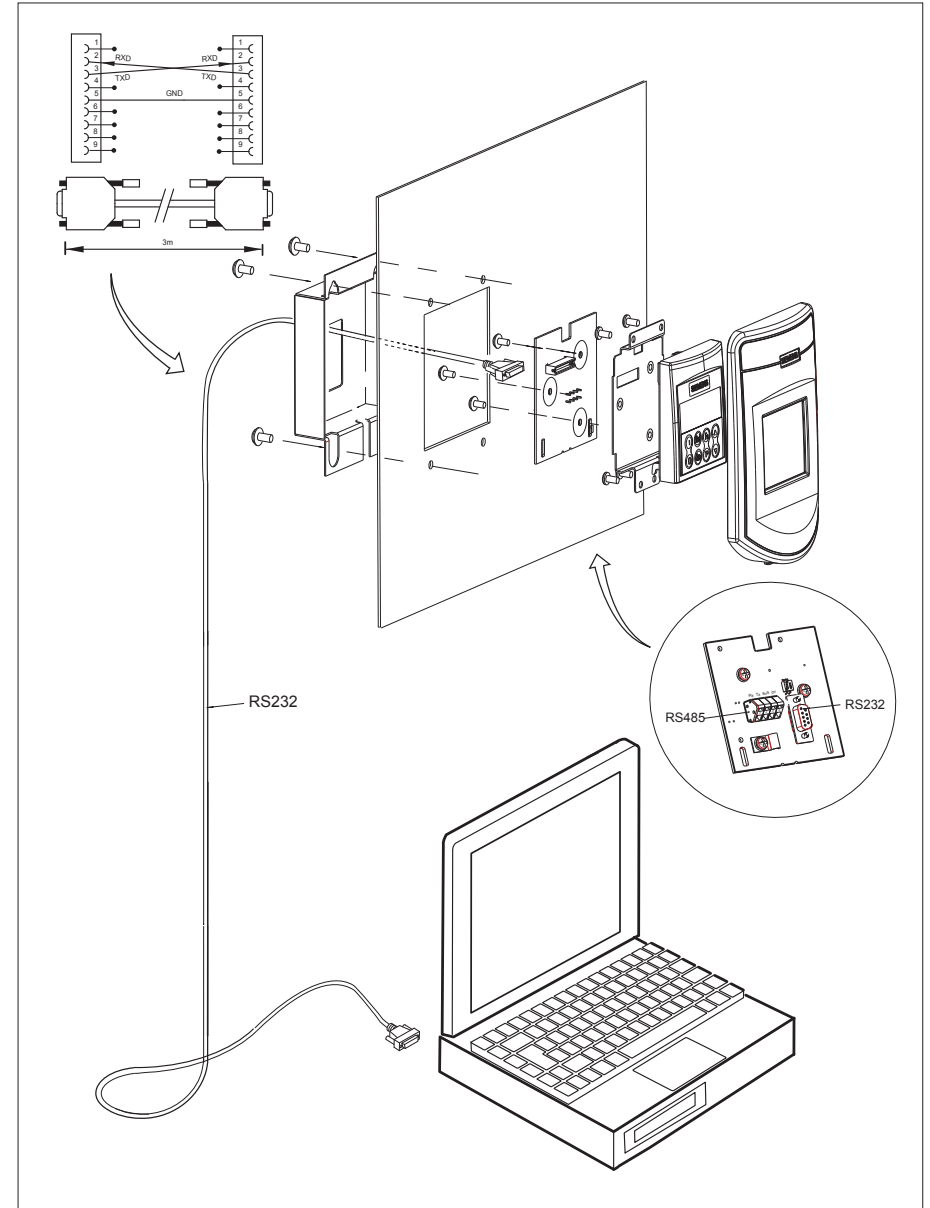
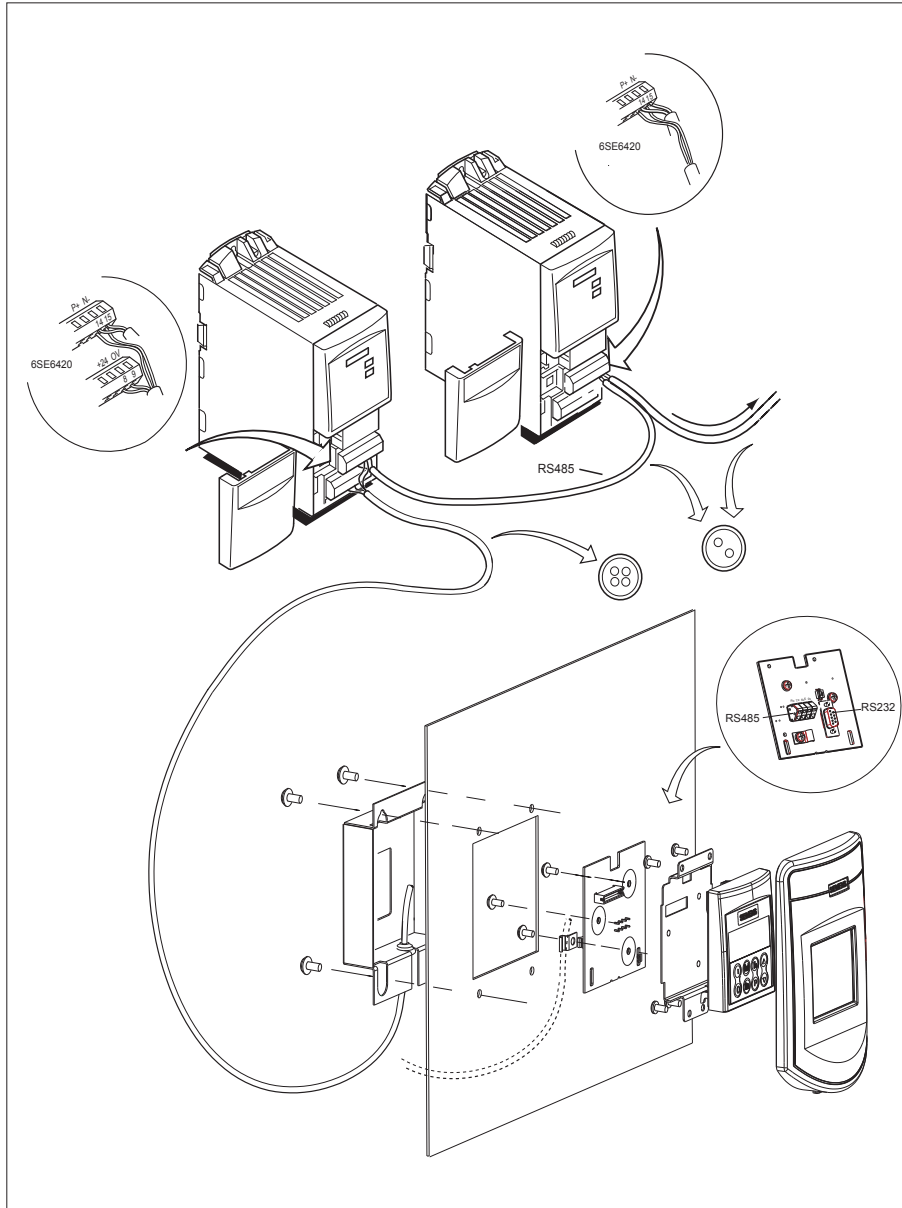


AOP Mounting Kit



Drawing Number:	G85139-K1792-U525-A1
Order Number:	6SE6400-5KC00-1AP0

SIEMENS

